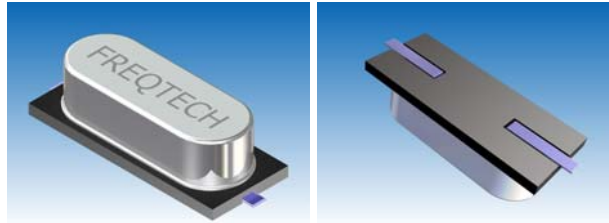


## FT5A

Package: ceramic base with metal cover

rohs compliant

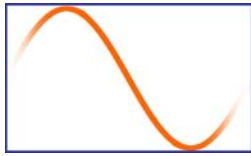


### Electrical specifications

Parameter	Condition	Availability	Standard
Frequency range		8,0 ~ 66,0 MHz	
Frequency stability	@ +25°C	+/- 10 ~ +/- 50 ppm	+/- 30 ppm
Temperature tolerance	@ -20°C ~ +70°C @ -40°C ~ +85°C	+/- 10 ~ +/- 50 +/- 30 ~ +/- 100	+/- 30 ~ +/- 50 ppm
Operating temperature range		-40 ~ +85 °C	-20 ~ +70 °C
Storage temperature range			-40 ~ +85 °C
Shunt capacitance			7pF
Aging (1 <sup>st</sup> year)	@ 25°C +/-3°C		+/- 5,0 ppm
Load capacitance	Customer specified	10 ~ series	16pF
Drive level		500µW max.	100µW
Aging	@ +25°C, per year	-5,0 ~ +5,0ppm	

### Equivalent series resistance + mode of vibration

Frequency range (MHz)	Max. ESR (Ω)	Mode	Frequency range (MHz)	Max. ESR (Ω)	Mode
8,0 – 8,999	80	Fundamental	13,0 – 29,999	40	Fundamental
9,0 – 9,999	60	Fundamental	30,0 – 66,0	80	3rd overtone
10,0 – 12,999	50	Fundamental			

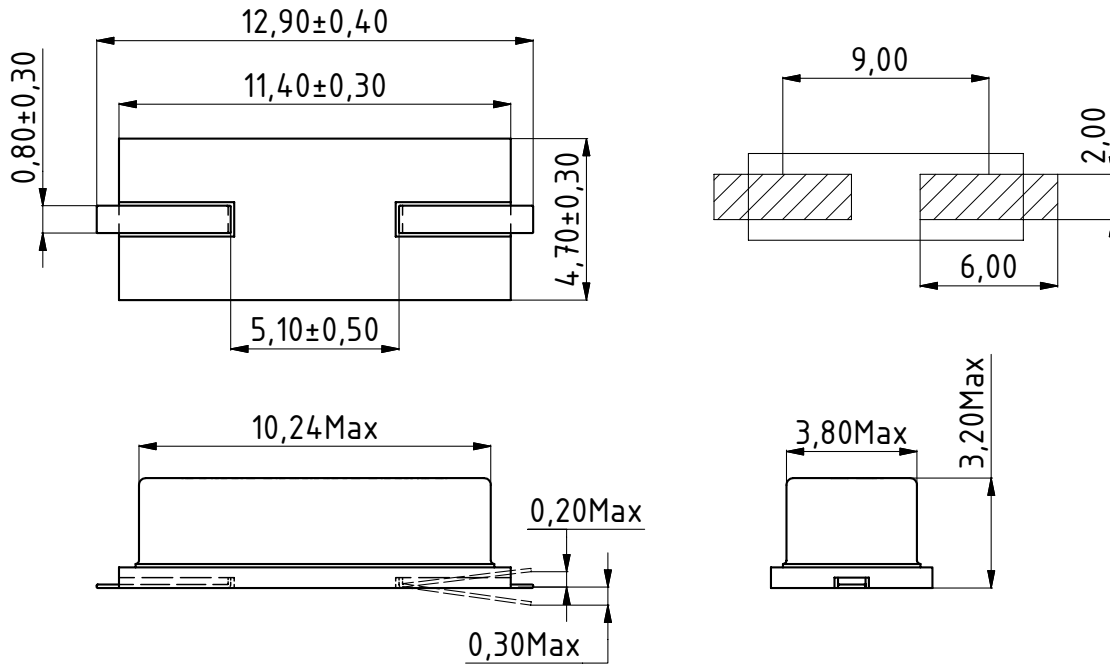


**FREQTECH®**  
your first and second source

**FT5A**

Package: ceramic base with metal cover  
rohs compliant

**Mechanical dimensions (mm)**



**Ordering key**

Type	- frequency	/ frequency stability	/ load capacitance	- temperature tolerance	/ operating teperature
FT5A	value in MHz	value in ppm	value in pF	value in ppm	27 = -20°C~+70°C
			s for series		48 = -40°C~+85°C