

**SPECIFICATION**

Frequency Range	32,7680 kHz	
Operating Temperature Range	-20°C~70°C	Standard, Code 27 Available, Code 48
	-40°C~85°C	
Storage Temperature Range	-55°C~125°C	
Drive Level	1,0 μW max.	
Frequency Tolerance @25°C	±10 ppm; ±20 ppm	
Parabolic Coefficient	-0,04 x 10 <sup>-6</sup> / °C <sup>2</sup> max.	
Load Capacitance (CL)	6 pF; 12,5 pF	
Motional Resistance (ESR)	50 kΩ max.	
Motional Capacitance	1,8 fF typ.	
Aging	±3 ppm / year max.	
Shunt Capacitance	0,9 pF typ.	
Reflow Soldering	10s max., 260°C twice or 180s @230°C once	
Packing Unit	1.000 or 3.000 pcs. TR	

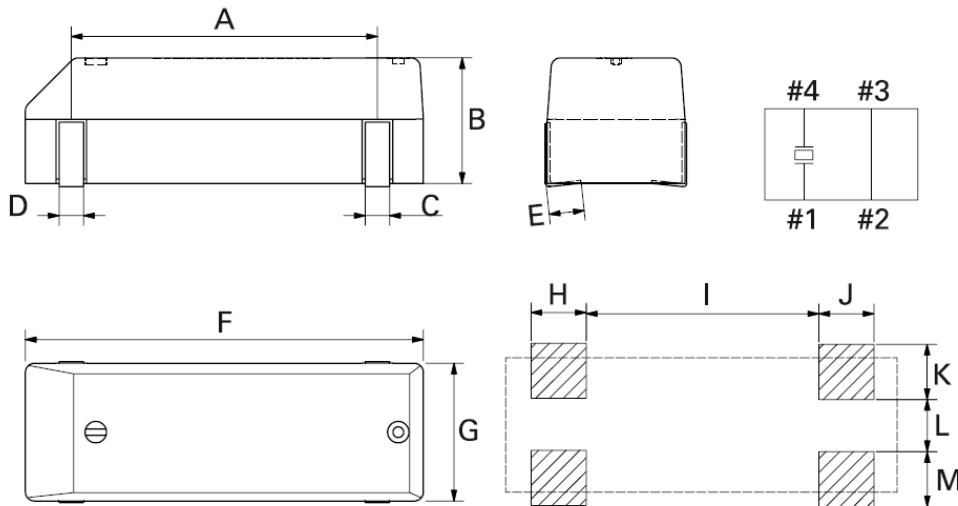
**TIMING QUARTZ  
CRYSTAL**  
**8 x 3,8 MM**

**ORDERING KEY**

Example: FT4A-32,7680/12,5-20/48

Type	- Frequency	/CL	-Frequency Tolerance	-Temperature Stability	/Temperature Code
FT4A	32,7680	Value in pF s for series	Value in ppm	Value in ppm	27 48

**MECHANICAL DIMENSIONS (MM)**



A	5,5
B	2,38
C	0,5
D	0,5
E	0,9
F	8,0 max.
G	3,8 max.
H	1,3
I	4,2
J	1,3
K	1,9
L	1,3
M	1,9