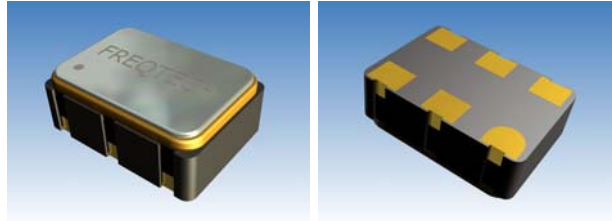


FT1L

Package: ceramic base with metal cover

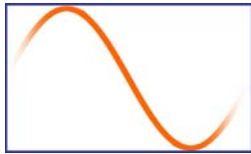
rohs compliant



Electrical specifications

Parameter	Condition	Availability	Standard
Frequency range		100,0 ~ 320,0 MHz	
Frequency stability	over operating temperature range	+/- 25 - +/- 100 ppm	
Output wave form			LVDS output
Input voltage			3,3 V +/-5%
Input current			90 mA max.
Output voltage HIGH "1" Voh			1,6 V max. (1,4 typical)
Output voltage LOW "0" Vol			0,9 V min. (1,1 typical)
Duty cycle (wave form symmetry)	@1,25V		50 +/- 5 %
Rise & fall time	@20% to 80% Vcc		1 ns max. (0,7 typical)
Start-up time			3 ms max. (1 typical)
Integrated jitter RMS	integrated 12kHz to 20MHz		4 ps max. (2,5 typical)
Current consumption			80 mA max.
Output load			15 pF
Operating temperature range		-40 ~ +85 °C	-10 ~ +70 °C
Storage temperature			-55 ~ +125 °C
Aging	per year		+/-3 ppm max.

Pin	Connection	Pin	Connection
1	tristate	4	Output
2	NC	5	complimentary output
3	GND	6	Vcc



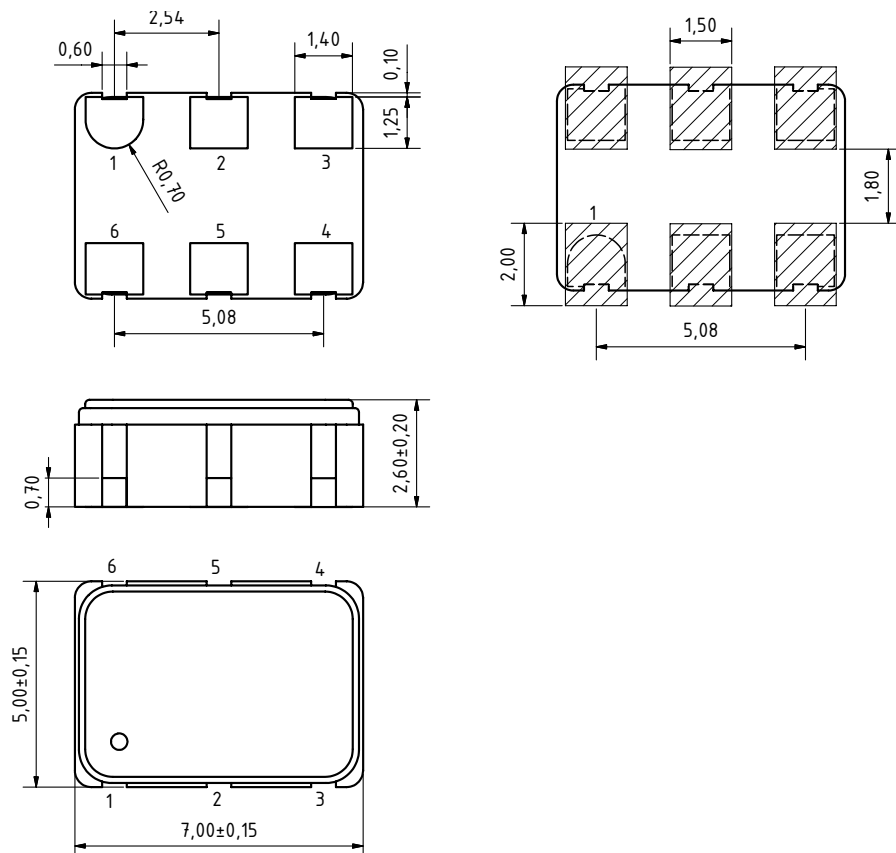
FREQTECH®
 your first and second source

FT1L

Package: ceramic base with metal cover

rohs compliant

Mechanical dimensions (mm)



Ordering key

Type	- frequency	/ frequency stability	- output load	/ operating teperature	/ option
FT1L	value in MHz	value in ppm		17 = -10°C ~ +70°C	
				48 = -40°C ~ +85°C	